

목 록

| | |
|-------------------------|---|
| sp5000ds_datasheet..... | 1 |
| sp5000ds_dimension..... | 2 |

Double-Beam-Interferometer

SP 5000 DS

| System parameter | SP 5000 DS |
|--|---|
| Measuring range | 0 m to ≥ 5 m |
| Resolution | 20 pm* |
| Angular measuring ranges with reflector with plane mirror (recommended distance ≤ 2 m) | $\pm 12.5^\circ$ ** ± 1.5 arcmin |
| Angular resolution (at 0.1 nm length resolution) | 0.002 arcsec*** |
| Beam distances (horizontal and vertical) | 12 mm |
| Wavelength | 632.8 nm |
| Frequency stability of the HeNe laser (after warm-up time) | $2 \cdot 10^{-8}$ |
| Warm-up time of the HeNe laser | 10...20 min |
| Operating temperature range | 15...30°C |
| Max. displacement speed of measuring reflector | 3 m/s |
| Geometric Data | |
| Dimensions (L x W x H): Sensor head with adjustable mount Electronic evaluation and supply unit EU | [199 x 134 x 68] mm [450 x 400 x 150] mm |
| Mass: Sensor head with adjustable mount Electronic evaluation and supply unit EU | 1.6 kg ca. 8 kg |
| Elektronische Daten | |
| Interfaces standard other interfaces on request (/R) | RS232C, USB |
| Cable length between sensor head and electronics unit | 3 m, optionally up to 10 m |
| Power supply | 100...240 VAC / 47...63 Hz |
| Laser safety class according to EN 60825-1:2014 and ANSI Z136.1 (CDRH) | 2M II |

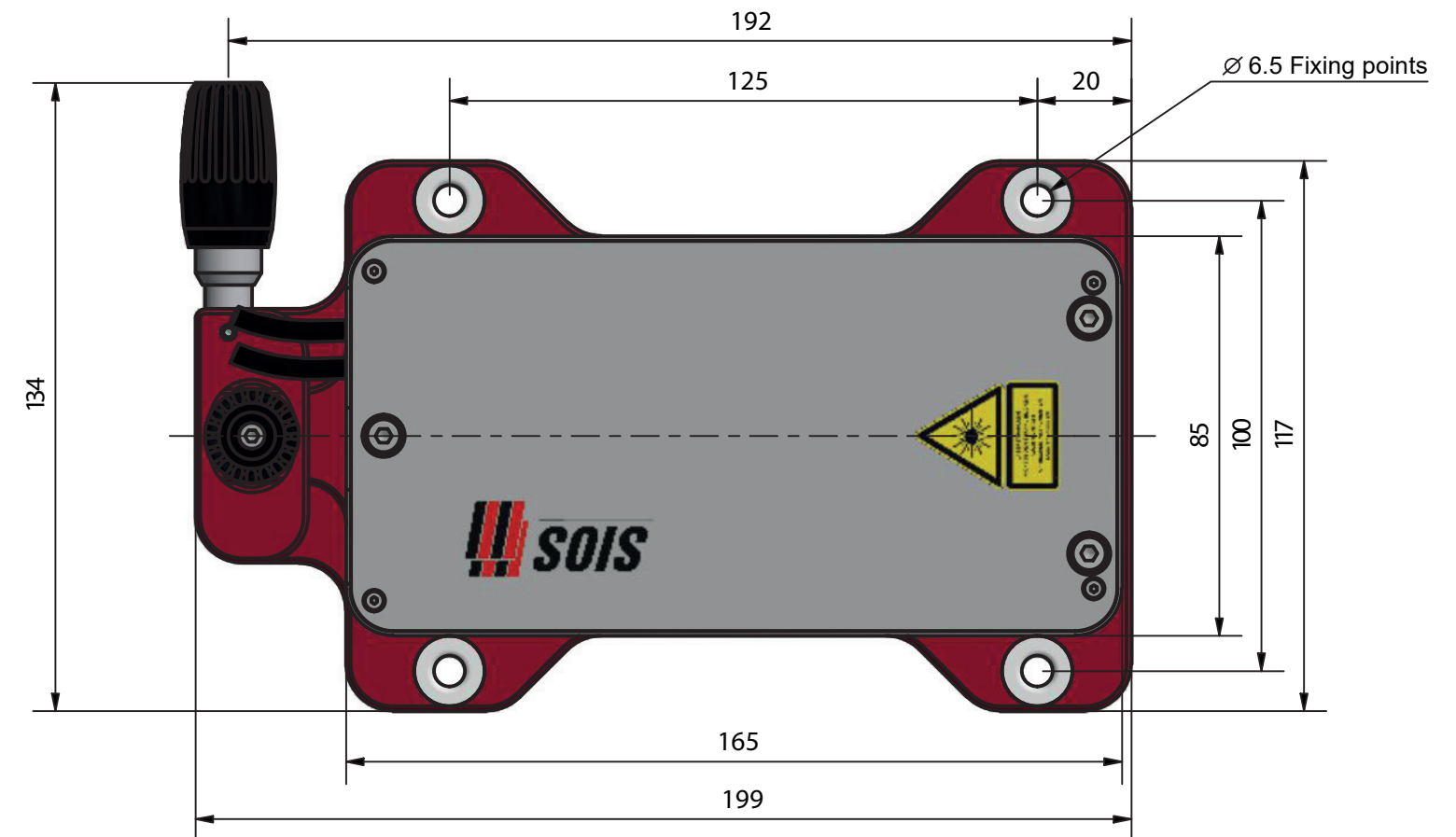
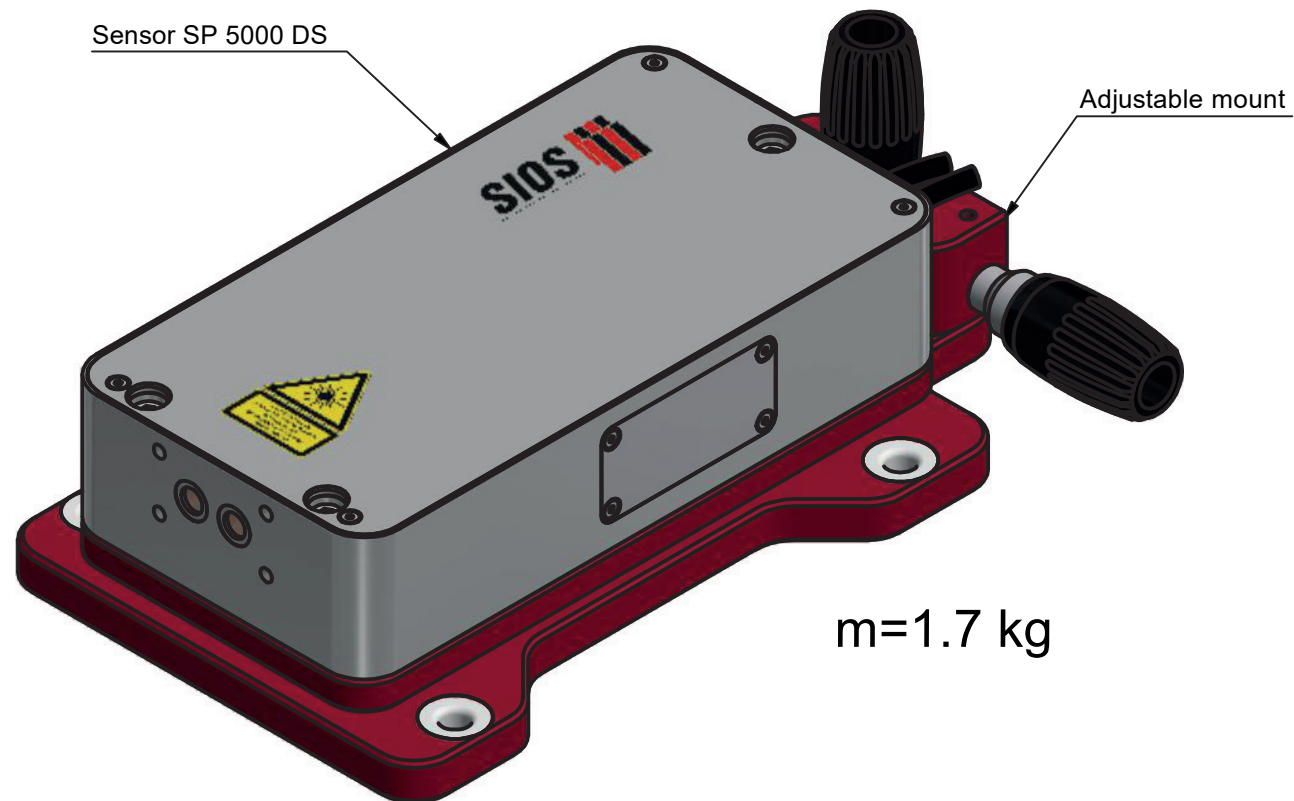
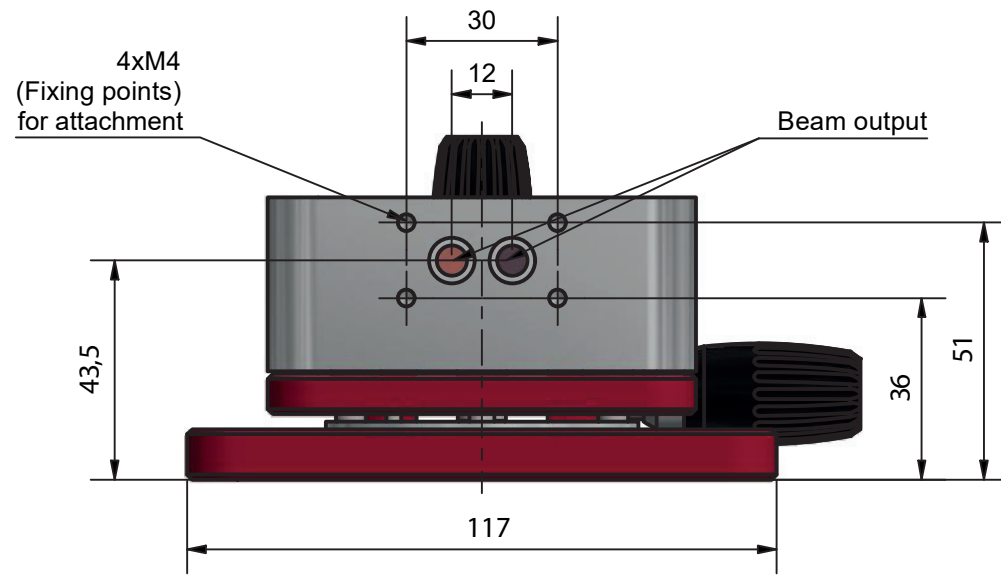
*in frequency domain

**rotary point dependent

***least significant bit (LBS)

02/2021 · Subject to change.

SP 5000 DS (A039026) with adjustable mount



all dimensions in mm

SIOS Meßtechnik GmbH

Am Vogelherd 46 • 98693 Ilmenau/Germany • phone: +49 (0) 3677 64 47-0 • e-mail: contact@sios.de • www.sios-precision.com

SIOS
Meßtechnik GmbH